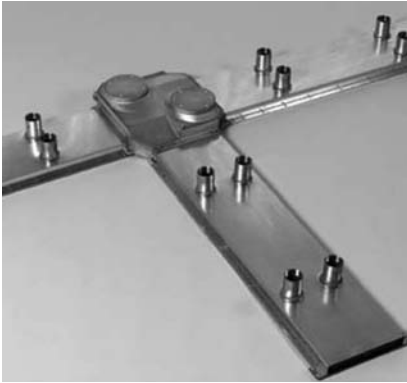


# Raceway Solutions™

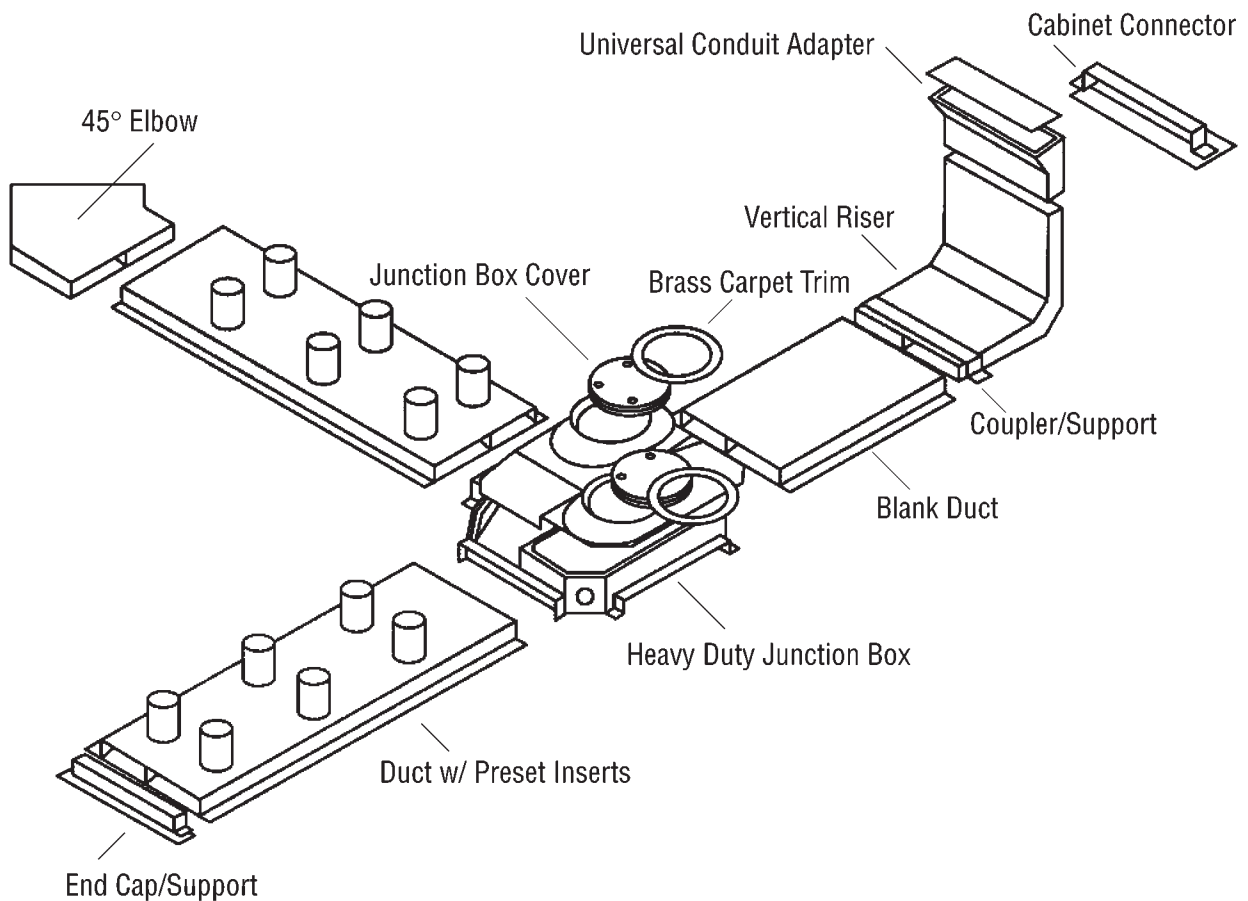
## Casino Underfloor Duct



### Features & Benefits

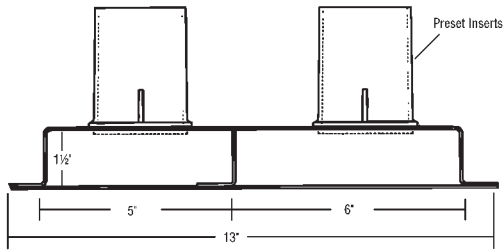
- Heavy Duty cast aluminum junction box meets the high load requirements of a casino environment (50,000 pound uniform load rating).
- Two-compartment duct provides separation of power and voice/data.
- Junction box provides individual covers for access to power and voice/data compartments.
- Attractive brass carpet trims are available for the junction box covers.
- One-piece duct configuration simplifies assembly and leveling for reduced installation costs.
- System includes a complete line of accessories and fittings for design flexibility.
- System meets the requirements of UL 884.

### Typical Casino Duct System Layout



# Raceway Solutions™

## Casino Underfloor Duct

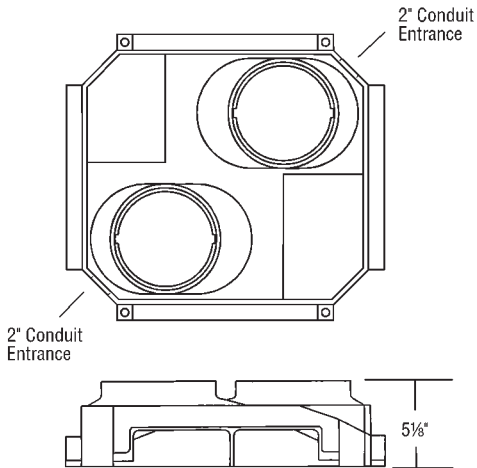


CD-3-24

### Duct Sections

Cat. No.	Description
CD-B	Blank duct 10' section
CD-3-12	Duct w/ 3" presets 12" on center
CD-3-24	Duct w/ 3" presets 24" on center

**NOTE:** Consult factory for Casino Duct with Flush Activations.

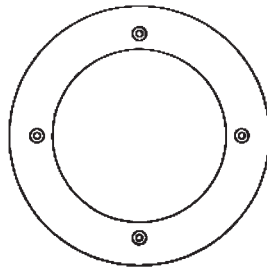


CD-3JB

### Junction Box

Cat. No.	Description
CD-3JB	Heavy-duty cast aluminum junction box, 2 compartment.

**NOTE:** Consult factory for other junction box options.



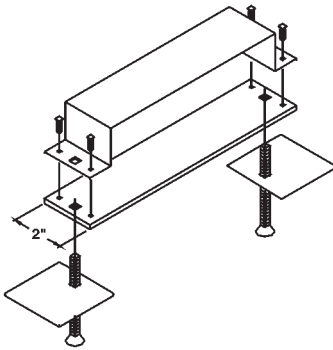
CD-CTB

### Brass Carpet Trim

Cat. No.	Description
CD-CTB	Brass trim ring for junction box lids.

# Raceway Solutions™

## Casino Underfloor Duct

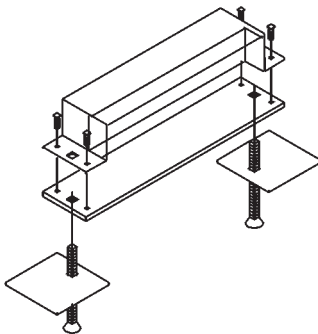


### Coupler/Supports

Cat. No.	Description
CD-CS	For Casino Duct

**Material:** 14 gauge pre-galvanized steel with 668 coating  
UL Listing No. 668

*Raceway Solutions duct coupler/supports provide a means of not only coupling duct sections together but also supporting the duct sections. It is recommended that a support/coupler be used every 5' of duct run.*

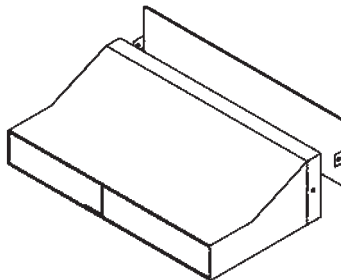


### End Cap/Support

Cat. No.	Description
CD-ES	For Casino Duct

Raceway Solutions End Cap/Supports provide a means of supporting and closing unused duct ends.

**Material:** 14 gauge pre-galvanized steel with 668 coating  
UL Listing No. 668

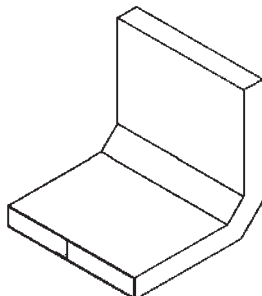


### Conduit Adapter

Cat. No.	Description
CD-UCA	For Casino Duct

Raceway Solutions End Conduit Adapters are provided with a removable blank cover which is field punched for the required combination of conduits. Conduit adapters for multi-compartment duct are supplied with interior barriers to maintain separation between services.

**Material:** 14 gauge pre-galvanized steel with 668 coating  
UL Listing No. 668



### Verticle Riser

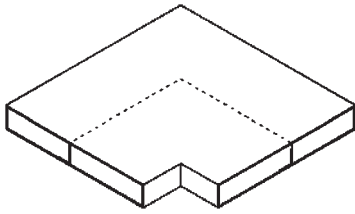
Cat. No.	Description
CD-VEL	For Casino Duct

**Material:** 14 gauge pre-galvanized steel with 668 coating  
UL Listing No. 668



# Raceway Solutions™

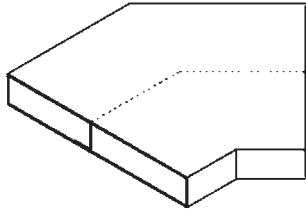
## Casino Underfloor Duct



### Horizontal Elbow – 90°

Cat. No.	Description
CD-HB90	For Casino Duct

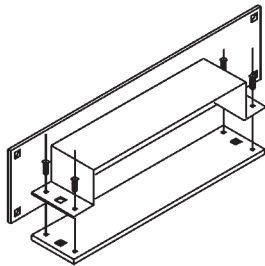
**Material:** 14 gauge pre-galvanized steel with 668 coating  
UL Listing No. 668



### Horizontal Elbow – 45°

Cat. No.	Description
CD-HB45L	45° Elbow Left
CD-HB45R	45° Elbow Right

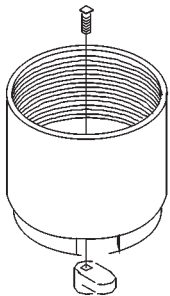
**Material:** 14 gauge pre-galvanized steel with 668 coating  
UL Listing No. 668



### Duct Cabinet Connector

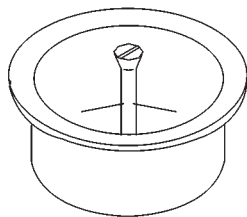
Cat. No.	Description
CD-CC	For Casino Duct

**Material:** 14 gauge pre-galvanized steel with 668 coating  
UL Listing No. 668



### Afterset Insert – 2" IPS Thread

Cat. No.	Description
DAI-3	3"



### Marker Caps

Cat. No.	Description
DMC-Z	Insert marker cap with zinc screw
DMC-B	Insert marker cap with brass screw

**Material:** 14 gauge pre-galvanized steel with 668 coating  
UL Listing No. 668



### Reducing Bushings

Cat. No.	Description
RB-162	2" to 3/4"
RB-163	2" to 1"

**Material:** Steel, Zinc Plated  
UL Listing No. E-1275

# Raceway Solutions™

## Casino Underfloor Duct

### Service Head Fittings

Raceway Solutions service fittings provide above-floor service for power, communications and data. A variety of service fitting designs are available.



PSF-10-DR

#### PSF-10 Series

- Brushed aluminum finish.
- Low profile design.
- Furnished with 1" conduit nipple.



PSF-20-DR

#### PSF-20 Series

- Brushed aluminum finish.
- Interchangeable face plates.
- Furnished with 1" conduit nipple for direct screw-threading into a floor box plate with 1" cover opening.

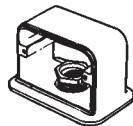
### Service Fittings for Power

Cat. No.	Description	Finish	Dimensions			Wt. (lbs.)
			W	D	H	
PSF-10-DR	Furnished with one 15 amp, 125 volt, 3-wire NEMA duplex receptacle	Brushed Aluminum	4 $\frac{3}{8}$ "	3"	2 $\frac{5}{8}$ "	1.6
PSF-10	Same as PSF-10-DR above less duplex receptacle	Brushed Aluminum	4 $\frac{3}{8}$ "	3"	2 $\frac{5}{8}$ "	1.5
PSF-20-2DR	Furnished with two back to back 15 amp, 125 volt, 3 wire NEMA duplex receptacles	Brushed Aluminum	5"	3 $\frac{3}{8}$ "	3"	1.38
PSF-20	Same as PSF-20-2DR less duplex receptacles	Brushed Aluminum	5"	3 $\frac{3}{8}$ "	3"	1.25
PSF-21	Furnished with cover plate to accommodate one 30 or 50 amp, 240 volt, 3 wire receptacle and blank cover	Brushed Aluminum	5"	3 $\frac{3}{8}$ "	3"	1.25

#### SFH-20 Series Component Parts

PSF-20-BASE	Standard above floor service fitting base only.
PSF-20-TELEDVP	Device plate for PSF-20 with 1" dia. hole.
PSF-20-DUPDVP	Device plate for PSF-20 for duplex.
PSF-20-BLDVP	Blank device plate for PSF-20.
PSF-20-DVP139	Device plate for PSF-20 with 1 $\frac{13}{32}$ " dia. hole.

UL Listing No.514A



PSF-20-Base



Blank Plate  
PSF-20-BLDVP



Telephone Plate,  
1" Hole  
PSF-20-TELEDVP



Single Receptacle  
Plate, 1.39" Hole  
PSF-20-DVP139



Single Receptacle  
Plate, 1.60" Hole  
PSF-20-DVP160



Duplex  
Receptacle  
Plate  
PSF-20-DUPDVP



CMSF-10

- Brushed aluminum finish.
- Low profile design.
- Furnished with 1" conduit nipple.

### Service Fittings for Communications and Data

Cat. No.	Description	Finish	Dimensions			Wt. (lbs.)
			W	D	H	
CMSF-10	$\frac{3}{4}$ "x 1 $\frac{1}{8}$ " bushed opening for telephone or computer	Brushed Aluminum	4 $\frac{3}{8}$ "	3 $\frac{1}{8}$ "	2 $\frac{5}{8}$ "	1.5

UL Listing No.514A

